



SF4T2RG

Schienale e sedile in polipropilene.
Braccioli in tondino di acciaio e top in polipropilene.
Telaio 4 gambe in tubolare di acciaio.
Piedini fissi in materiale plastico.

Backrest and seat are made of polypropylene.
Armrests made of steel with circular cross-section. The top of armrest is made of polypropylene.
Structure made of tubular steel.
Little fixed feet made of plastic.



SF4T9NG

Schienale e sedile in polipropilene.
Braccioli in tondino di acciaio e top in polipropilene.
Telaio a slitta in tubolare di acciaio ad alta resistenza.

Backrest and seat are made of polypropylene.
Armrests made of steel with circular cross-section. The top of armrest is made of polypropylene.
Sled-shaped structure made of high-strength tubular steel.



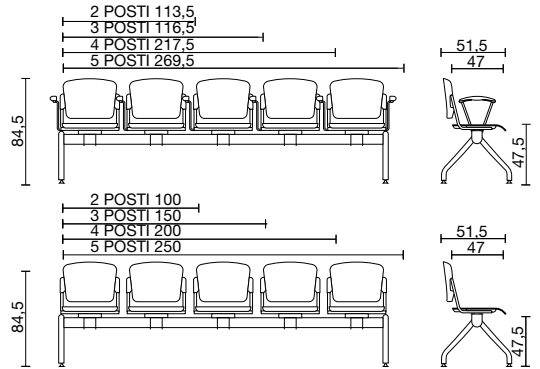
SF4T11PG

Schienale e sedile in polipropilene.
Braccioli in tondino di acciaio e top in polipropilene.
Telaio in tubolare di acciaio.
Piastra fissa girevole.
Gas: sistema di regolazione altezza sedile tramite alzata a gas.
Base 5 razze in nylon
Ruote piroettanti a doppio battistrada.

Backrest and seat are made of polypropylene.
Armrests made of steel with circular cross-section. The top of armrest is made of polypropylene.
Structure made of tubular steel.
Revolving fixed plate.
Gas: height-adjustment system by gas lift.
5-spoke base made of nylon.
Pirouetting castors with double tread.



SF44PG



Schienale e sedile in polipropilene.
Braccioli in tondino di acciaio e top in polipropilene.
Telaio in tubolare di acciaio.
Trave in tubolare di acciaio a sezione rettangolare 40x80 mm.
Gambe in tubolare di acciaio a sezione circolare con piedini regolabili.

Backrest and seat are made of polypropylene.
Armrests made of steel with circular cross-section. The top of armrest is made of polypropylene.
Structure made of tubular steel.
Tubular steel beam: rectangular cross-section 40x80 mm
Tubular steel legs: circular cross-section legs with adjustable little feet.

OPTIONAL



Agganci
Linking device



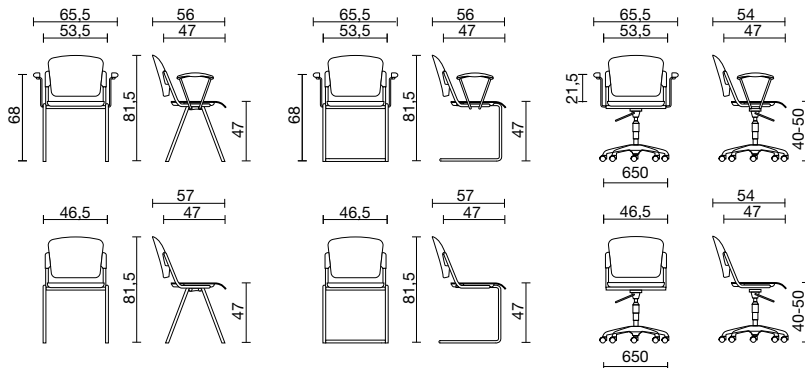
Carrello
Trolley



Cestino porta riviste
Basket



Tavoletta scrittoio antipatico
in polipropilene sinistro e destro
Polypropylene antipanic writing
tablet, left and right



FINITURE TELAIO FRAME FINISHES



COLORI COLOURS



SFERA upholstered version

SEDUTE COLLETTIVITÀ
COMMUNITY SEATING



SF0T2G

Sedile e schienale in polipropilene. Pannello sedile e schienale in polipropilene di supporto imbottitura.
Imbottitura in poliuretano espanso.
Braccioli in tondino di acciaio e top in polipropilene.
Telaio 4 gambe in tubolare di acciaio.
Piedini fissi in materiale plastico.

Backrest and seat made of polypropylene. Support structure of padding made of polypropylene.
Padding made of foamed polyurethane.
Armrests made of steel with circular cross-section. The top of armrest is made of polypropylene.
4-leg structure made of tubular steel.
Little fixed feet made of plastic.



SF0T9N

Sedile e schienale in polipropilene. Pannello sedile e schienale in polipropilene di supporto imbottitura.
Imbottitura in poliuretano espanso.
Braccioli in tondino di acciaio e top in polipropilene.
Telaio a slitta in tubolare di acciaio ad alta resistenza.

Backrest and seat made of polypropylene. Support structure of padding made of polypropylene.
Padding made of foamed polyurethane.
Armrests made of steel with circular cross-section. The top of armrest is made of polypropylene.
Sled-shaped structure made of high-strength tubular steel.



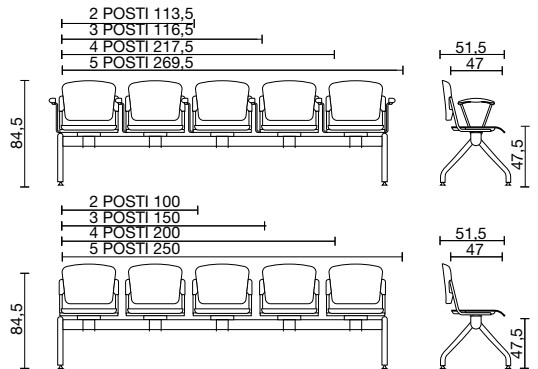
SF0T6G

Sedile e schienale in polipropilene. Pannello sedile e schienale in polipropilene di supporto imbottitura.
Imbottitura in poliuretano espanso.
Braccioli in tondino di acciaio e top in polipropilene.
Telaio in tubolare di acciaio.
Piastra fissa girevole.
Gas: sistema di regolazione altezza sedile tramite alzata a gas.
Base 5 razze in nylon
Ruote piroettanti a doppio battistrada.

Backrest and seat made of polypropylene. Support structure of padding made of polypropylene.
Padding made of foamed polyurethane.
Armrests made of steel with circular cross-section. The top of armrest is made of polypropylene.
Structure made of tubular steel
Revolving fixed plate.
Gas: height-adjustment system by gas lift.
5-spoke base made of nylon.
Pivoting castors with double tread.



SF03NT



Sedile e schienale in polipropilene. Pannello sedile e schienale in polipropilene di supporto imbottitura.
Imbottitura in poliuretano espanso.
Braccioli in tondino di acciaio e top in polipropilene.
Telaio in tubolare di acciaio.
Trave in tubolare di acciaio a sezione rettangolare 40x80 mm.
Gambe in tubolare di acciaio a sezione circolare con piedini regolabili.

Backrest and seat made of polypropylene. Support structure of padding made of polypropylene.
Padding made of foamed polyurethane.
Armrests made of steel with circular cross-section. The top of armrest is made of polypropylene.
Structure made of tubular steel.
Tubular steel beam: rectangular cross-section 40x80 mm.
Tubular steel legs: circular cross-section legs with adjustable little feet.

OPTIONAL



Tavolino
Small table



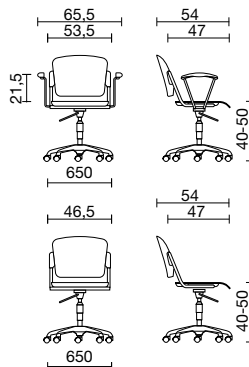
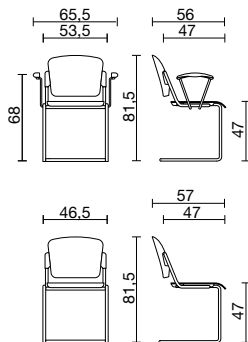
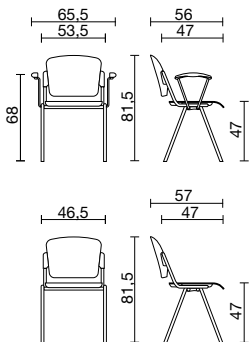
Gamba panca con forma a "T"
T-shaped legs



Bracciolo singolo
Single armrest



Tavoletta scrittoio antipanic
in polipropilene sinistro e destro
Polypropylene antipanic writing
tablet, left and right



OMOLOGAZIONI / APPROVALS

☛ a richiesta / on request
Omologazione Classe 11M

☛ a richiesta / on request
Omologazione Classe 11M

☛ a richiesta / on request
Omologazione Classe 11M

☛ a richiesta / on request
Omologazione Classe 11M

FINITURE TELAIO FRAME FINISHES



Verniciato grigio
Grey painted



Verniciato nero
Black painted



Cromato / Chromed