

# FLOW

design Mario Mazzer + R&D Martex

**MARTEX**

A large wooden-framed monitor displays a bar chart with data for 2017 and 2018. The chart compares 'Chiuso al mese 2017' (Closed by month 2017) and 'Chiuso al mese 2018' (Closed by month 2018). The legend also includes 'Mettita 2018, Inteso diario delle partite' and 'Chiuso totale 2018'. To the left of the monitor, a small green ottoman is visible.

A workstation featuring a wooden desk, a white office chair, and a green circular backrest. A laptop is open on the desk.

A central wooden cabinet or partition with two vertical panels.

A workstation featuring a wooden desk, a white office chair, and a large green circular backrest. A laptop is open on the desk.



## Informal meetings, integrated electrification

en\_The bench allows to connect modular elements creating pleasant informal meeting areas where the electrification is completely concealed.

it\_La panca permette di agganciare elementi modulari che aggregati tra loro creano piacevoli ed informali aree meeting dove l'elettificazione viene totalmente integrata.

fr\_La banquette permet d'accrocher éléments modulaires qui créent zones de réunion agréables et informelles où l'électrification est totalement intégrée.



## Totally customizable

en\_Connectivity, modularity and flexibility are the keywords that better describe the functionality of Flow bench. In fact, according to the elements which compose it, it transforms itself to meet every need.

it\_Connettività, modularità e flessibilità sono le parole chiave che meglio descrivono le funzioni della panca Flow; infatti, in base agli elementi che la compongono, si trasforma per rispondere a qualsiasi esigenza.

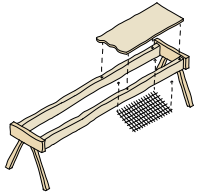
fr\_Connectivité, modularité et flexibilité sont les mot clé qui mieux décrivent les fonctions de la banquette banc Flow; en base aux éléments qui la composent, elle se transforme pour répondre à toutes l'exigences.



# Collaborative area

## Elements / Elementi / Éléments

en\_Electrifiable bench  
it\_Panca elettrificabile  
fr\_Banquette électrifié



L/W. 750 > 3000 mm  
29 1/2" > 118 1/9"  
P/D. 500 mm - 19 2/3"  
H. 500 mm - 19 2/3"

en\_Side table  
it\_Tavolino  
fr\_Tablette



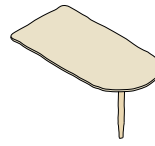
L/W. 200 mm - 7 7/8"  
P/D. 400 mm - 15 3/4"  
H. 300 mm - 11 4/5"

en\_Cushion  
it\_Cuscino  
fr\_Coussin d'assise



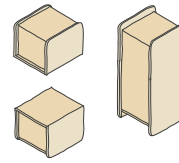
L/W. 450 > 3000 mm  
17 5/7" > 118 1/9"  
P/D. 400 mm - 15 3/4"  
H. 120 mm - 4 5/7"

en\_Hooked table  
it\_Tavolo agganciato  
fr\_Table accroché



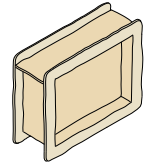
L/W. 1400 mm - 55 1/8"  
P/D. 700 mm - 27 5/9"  
H. 750 - 1050 mm  
29 1/2" - 41 1/3"

en\_Storages  
it\_Contenitori  
fr\_Rangements



L/W. 450 mm - 17 5/7"  
P/D. 410 mm - 16 1/7"  
H. 400 - 865 mm  
15 3/4" - 34"

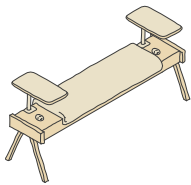
en\_TV module  
it\_Modulo TV  
fr\_Module TV



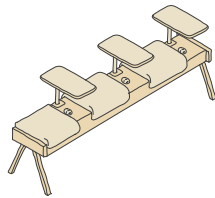
L/W. 1200 mm - 47 1/4"  
P/D. 410 mm - 16 1/7"  
H. 865 mm - 34"

en\_One/double sided  
it\_Mono/bifacciale  
fr\_Single/double faces

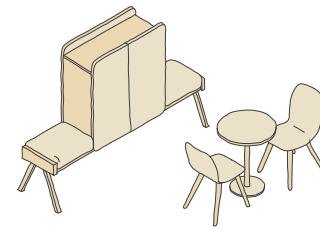
## Compositions examples / Esempi composizioni / Exemples de configurations



L/W. 1800 mm - 70 6/7"  
P/D. 500 mm - 19 2/3"  
H. 800 mm - 31 1/2"



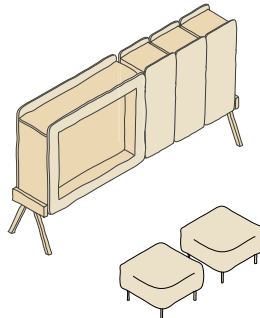
L/W. 2250 mm - 88 4/7"  
P/D. 500 mm - 19 2/3"  
H. 800 mm - 31 1/2"



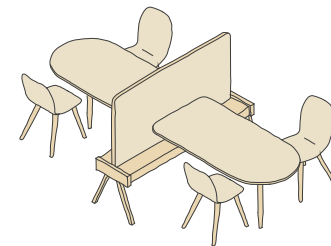
L/W. 1800 mm - 70 6/7"  
P/D. 500 mm - 19 2/3"  
H. 1300 mm - 51 1/6"



L/W. 2500 mm - 98 3/7"  
P/D. 1400 mm - 55 1/8"  
H. 850 mm - 33 1/2"



L/W. 2550 mm - 100 2/5"  
P/D. 500 mm - 19 2/3"  
H. 1300 mm - 51 1/6"



L/W. 1600 mm - 63"  
P/D. 2850 mm - 112 1/5"  
H. 1300 mm - 51 1/6"

## Visible ergonomomy

en\_With Flow, the ergonomics study is translated into height adjustable desks, analysis and development of accessible storage units in both sit and stand positions and in elements dedicated to welcoming and common areas sharing.

it\_In Flow, lo studio dell'ergonomia, si traduce in scrivanie regolabili in altezza, nell'analisi e sviluppo di contenitori accessibili all'utente sia seduto che in piedi, e in elementi dedicati all'accoglienza e alla condivisione negli spazi comuni.

fr\_Avec Flow, l'étude de l'ergonomie se traduit en bureaux réglables en hauteur, dans l'analyse et développement de rangements accessibles à l'utilisateur assis-debout, et en éléments dédiés à l'accueil et au copartage dans les espaces communes.



## Invisible wiring

en\_Flow is designed to provide electrification to the workplace through simple and quick access, allowing concealed but easy access to wiring inspection.

it\_Flow nasce per elettrificare il posto di lavoro in modo semplice e veloce, permettendo cablaggi nascosti ma facilmente ispezionabili.

fr\_Flow naît pour électrifier le poste de travail de manière simple et rapide, en permettant câblages cachés mais facilement accessibles.



Handset Basic



Handset + display  
+ height memory



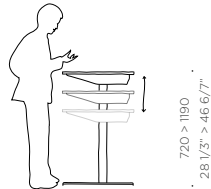
# Working area solutions

## Workstations / Postazioni / Postes de travail

Fixed  
Fissa  
Fixe

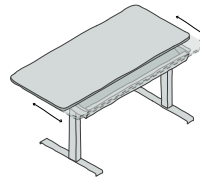


Sit to Stand  
Sit to Stand  
Assis-debout

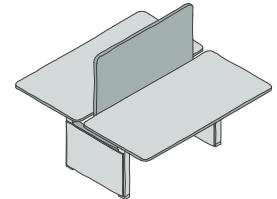


en\_Upon request, only for single desk:  
from H. 650 to 1250 mm / from H. 25 3/5" to 49 1/5"  
it\_A richiesta, solo per scrivanie singole:  
da H. 650 a 1250 mm  
fr\_Sur demande, seulement pour single bureau:  
de H. 650 à 1250 mm

## Desks / Scrivanie / Bureaux

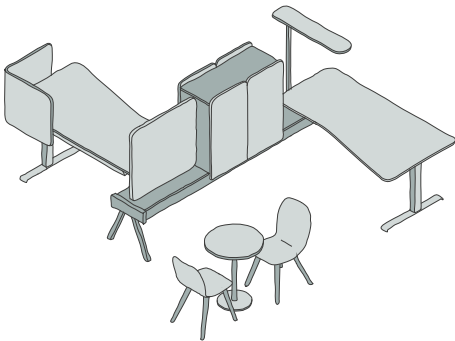


L/W. 1400 - 1600 - 1800 mm  
55 1/8" - 63" - 70 6/7"  
P/D. 700 - 800 mm - 27 5/9" - 31 1/2"

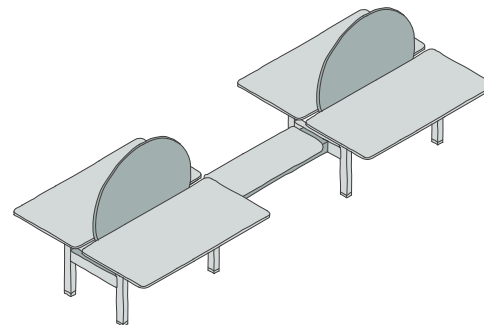


L/W. 1400 - 1600 - 1800 mm  
55 1/8" - 63" - 70 6/7"  
P/D. 1450 - 1650 mm - 57" - 65"

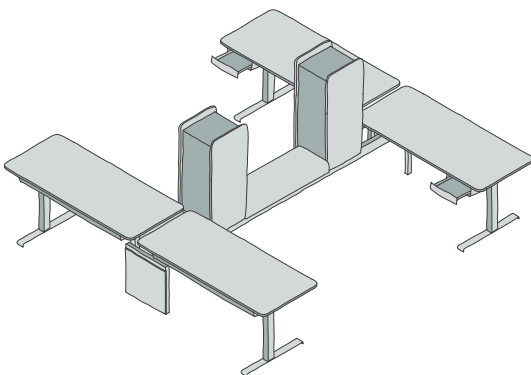
## Compositions examples / Esempi composizioni / Exemples de configurations



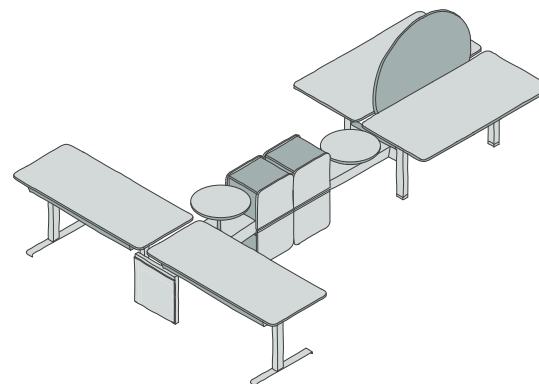
L/W. 2600 mm - 102 1/3"  
P/D. 3250 mm - 128"  
H. 1300 mm - 51 1/6"



L/W. 3700 - 4100 - 4500 mm  
145 2/3" - 161 3/7" - 177 1/6"  
P/D. 1450 - 1650 mm - 57" - 65"



L/W. 3200 mm - 126"  
P/D. 2850 - 3250 - 3650 mm - 112 1/5" - 128" - 143 5/7"



L/W. 4400 mm - 173 2/9"  
P/D. 2850 - 3250 - 3650 mm - 112 1/5" - 128" - 143 5/7"

